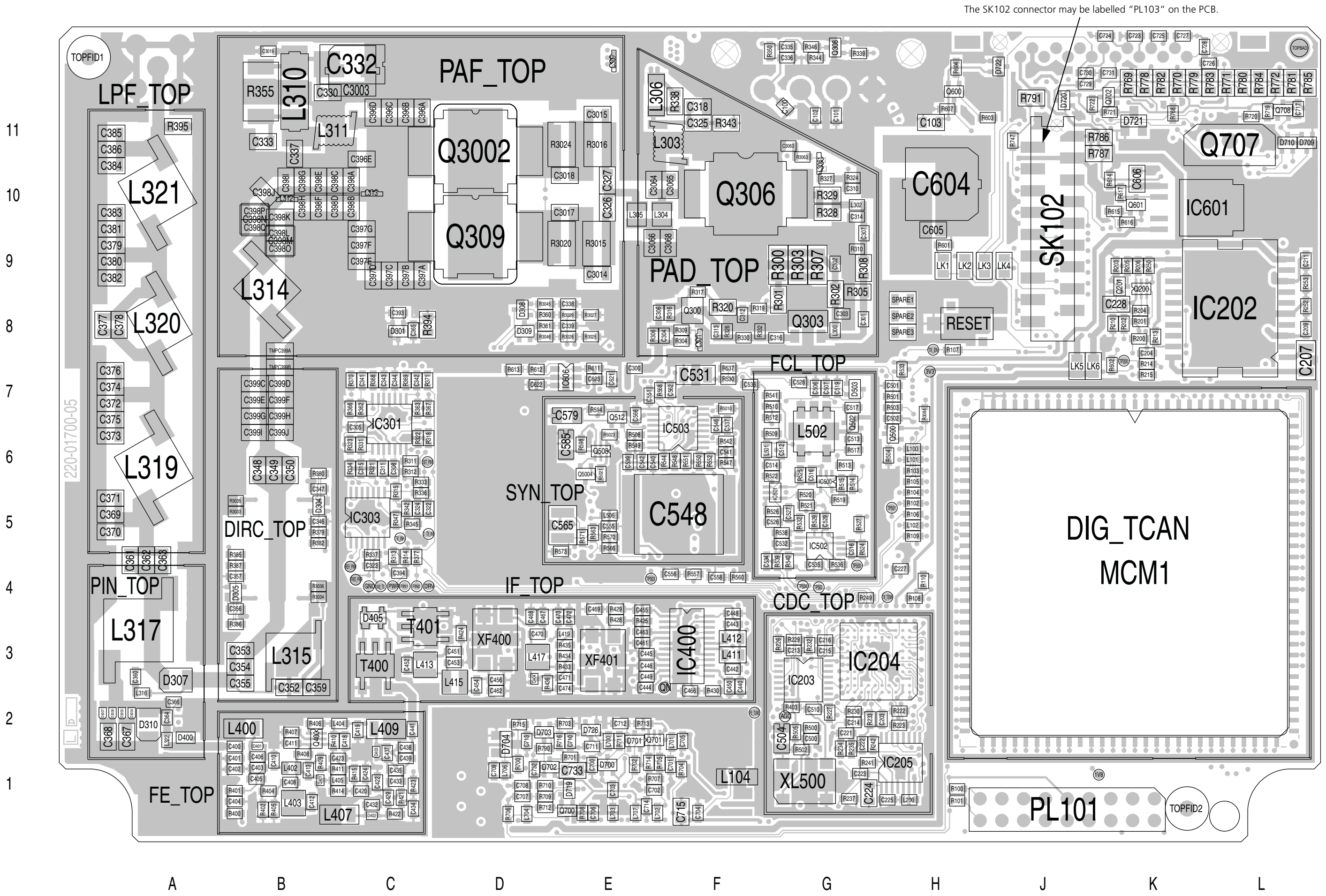
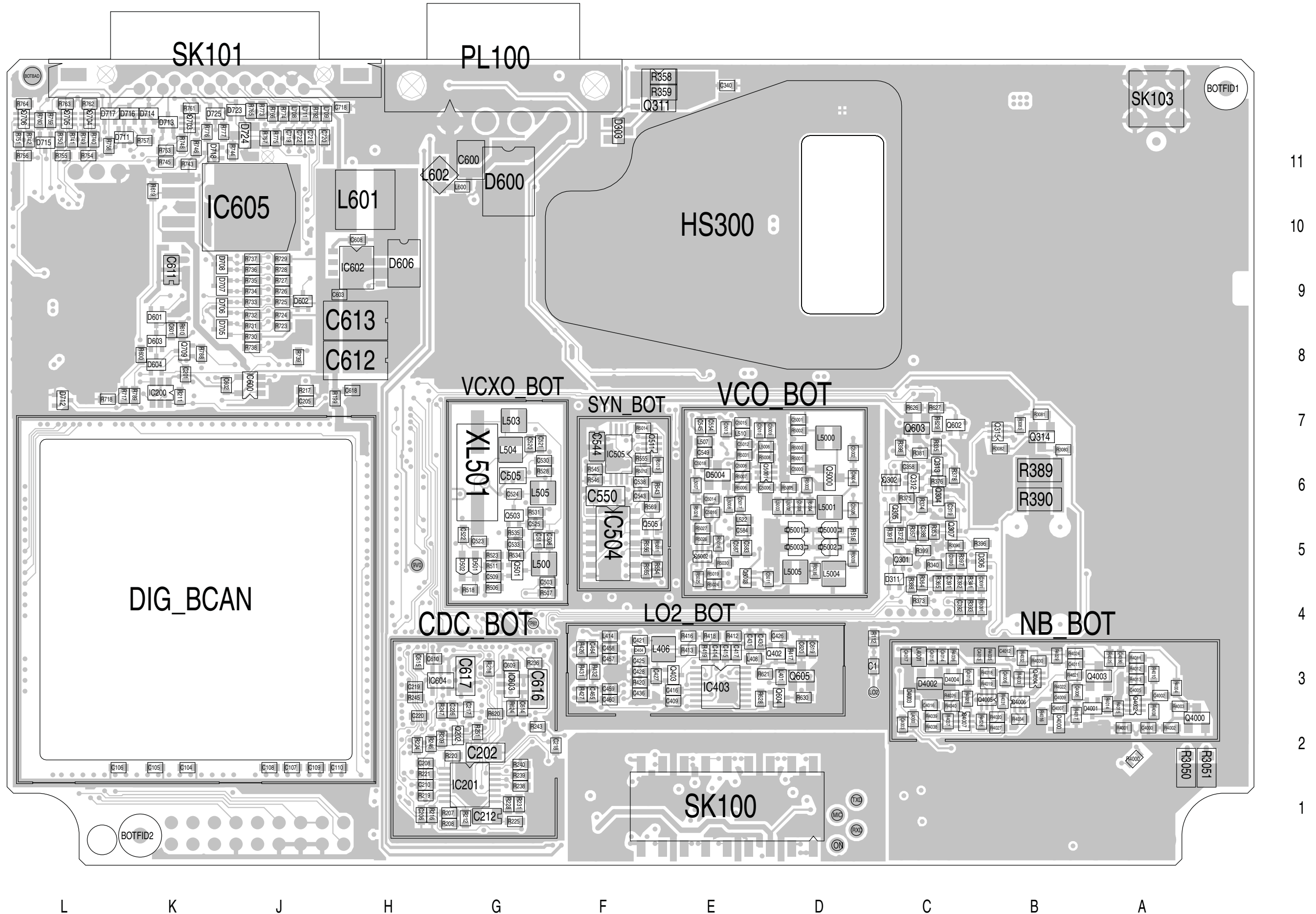


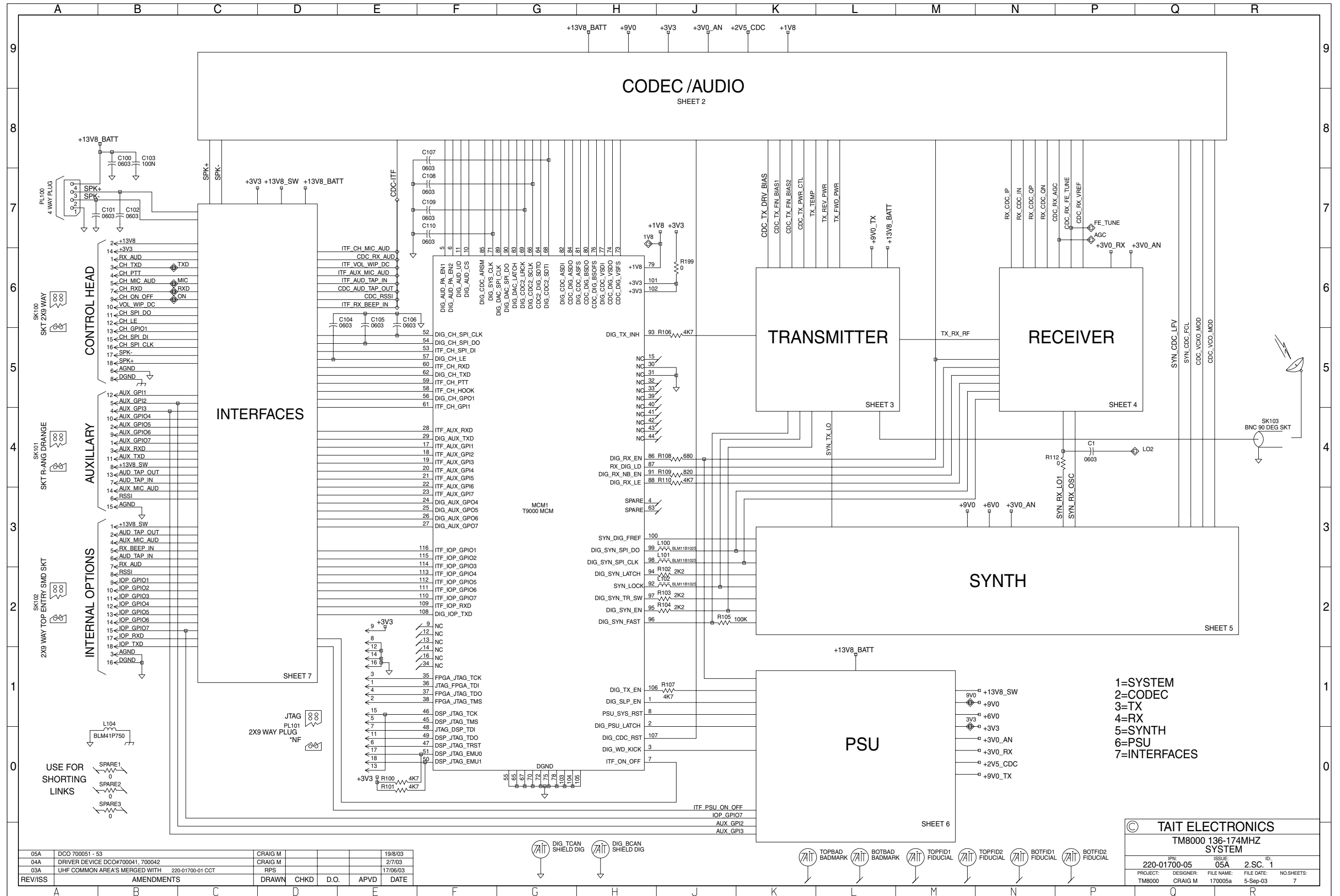
Grid Reference Index

PCB IPN 220-01700-05

Ref	PCB	Circuit
TP501	1:H5	5-F5
TP502	1:G4	5-F8
TP503	1:E4	5-N9
TP504	1:G4	5-C8
TP601	2:G4	6-K5
TXD	2:D1	1-B6
TX_EN	1:H8	6-J7
TX_INH	1:C5	3-J0
TX_TEMP	1:H4	3-K9
VCO_BOT	2:D5	5-P0
VCXO_BOT	2:F7	5-M0
XF400	1:D3	4-P7
XF401	1:E3	4-L2
XL500	1:G1	5-B8
XL501	2:G6	5-D3

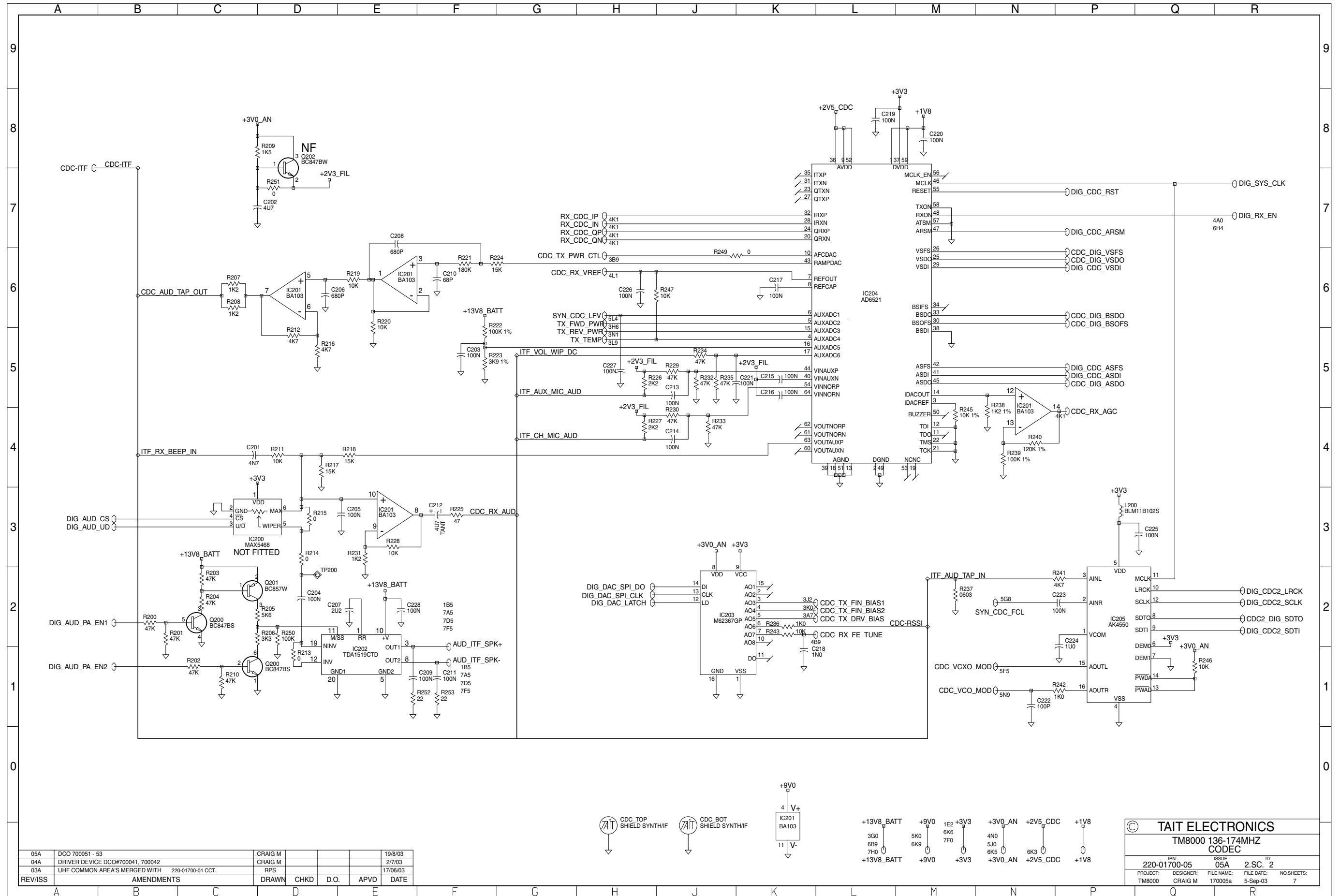






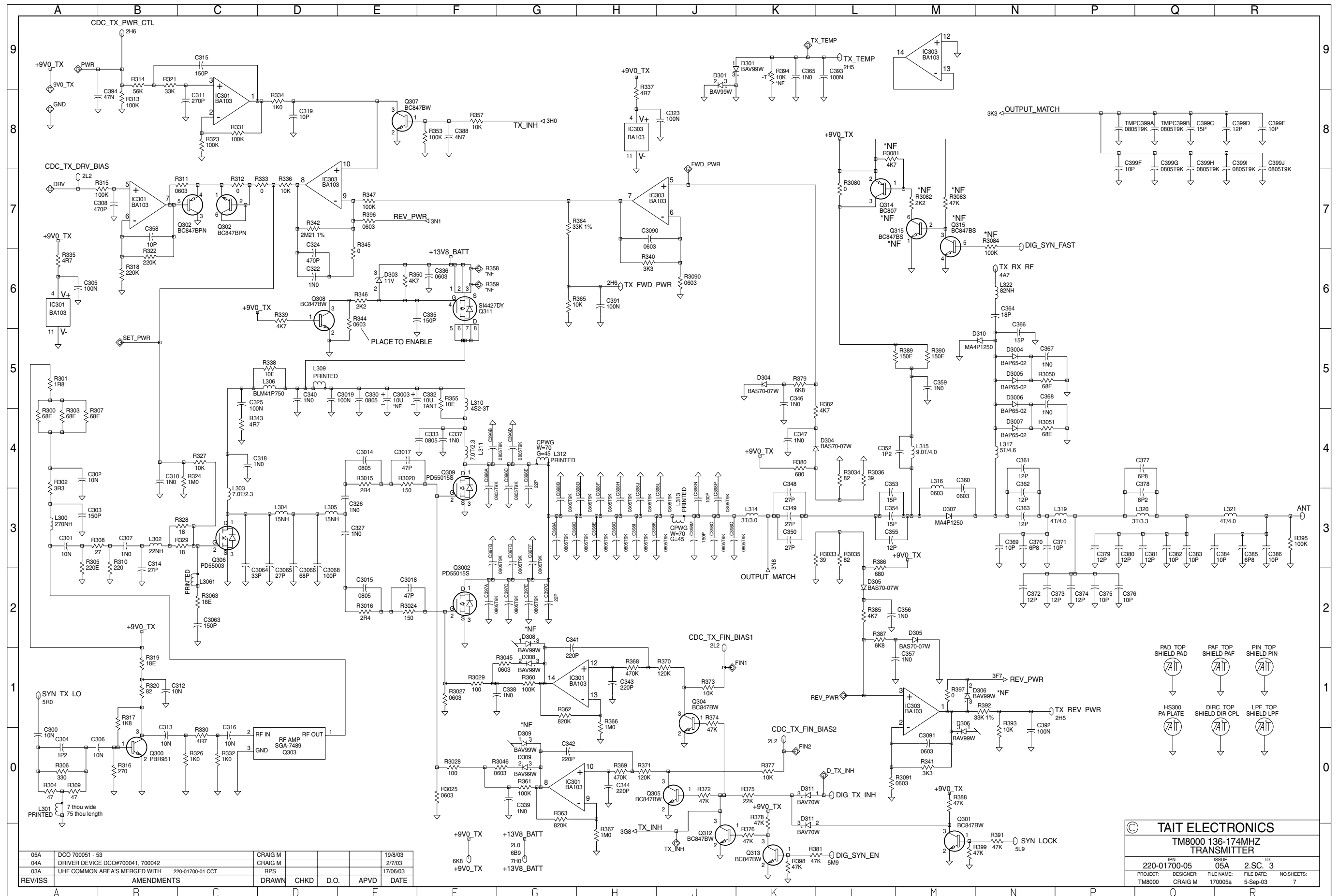
© TAIT ELECTRONICS
 TM8000 136-174MHZ SYSTEM
 IPN: 220-01700-05 ISSUE: 05A 2.SC. 1
 PROJECT: TM8000 DESIGNER: CRAIG M FILE NAME: 170005a FILE DATE: 5-Sep-03 NO.SHEETS: 7

05A	DCO 700051 - 53	CRAIG M			19/8/03
04A	DRIVER DEVICE DCO#700041, 700042	CRAIG M			27/03
03A	UHF COMMON AREA'S MERGED WITH 220-01700-01 CCT	RPS			17/06/03
REV/ISS	AMENDMENTS	DRAWN	CHKD	D.O.	APVD DATE



05A	DCO 700051 - 53	CRAIG M			19/8/03
04A	DRIVER DEVICE DCO#700041, 700042	CRAIG M			2/7/03
03A	UHF COMMON AREA'S MERGED WITH 220-01700-01 CCT.	RPS			17/06/03
REV/ISS	AMENDMENTS	DRAWN	CHKD	D.O.	APVD DATE

© TAIT ELECTRONICS
 TM8000 136-174MHZ CODEC
 IPN: 220-01700-05
 ISSUE: 05A 2.SC. 2
 PROJECT: TM8000 DESIGNER: CRAIG M FILE NAME: 170005a FILE DATE: 5-Sep-03 NO.SHEETS: 7

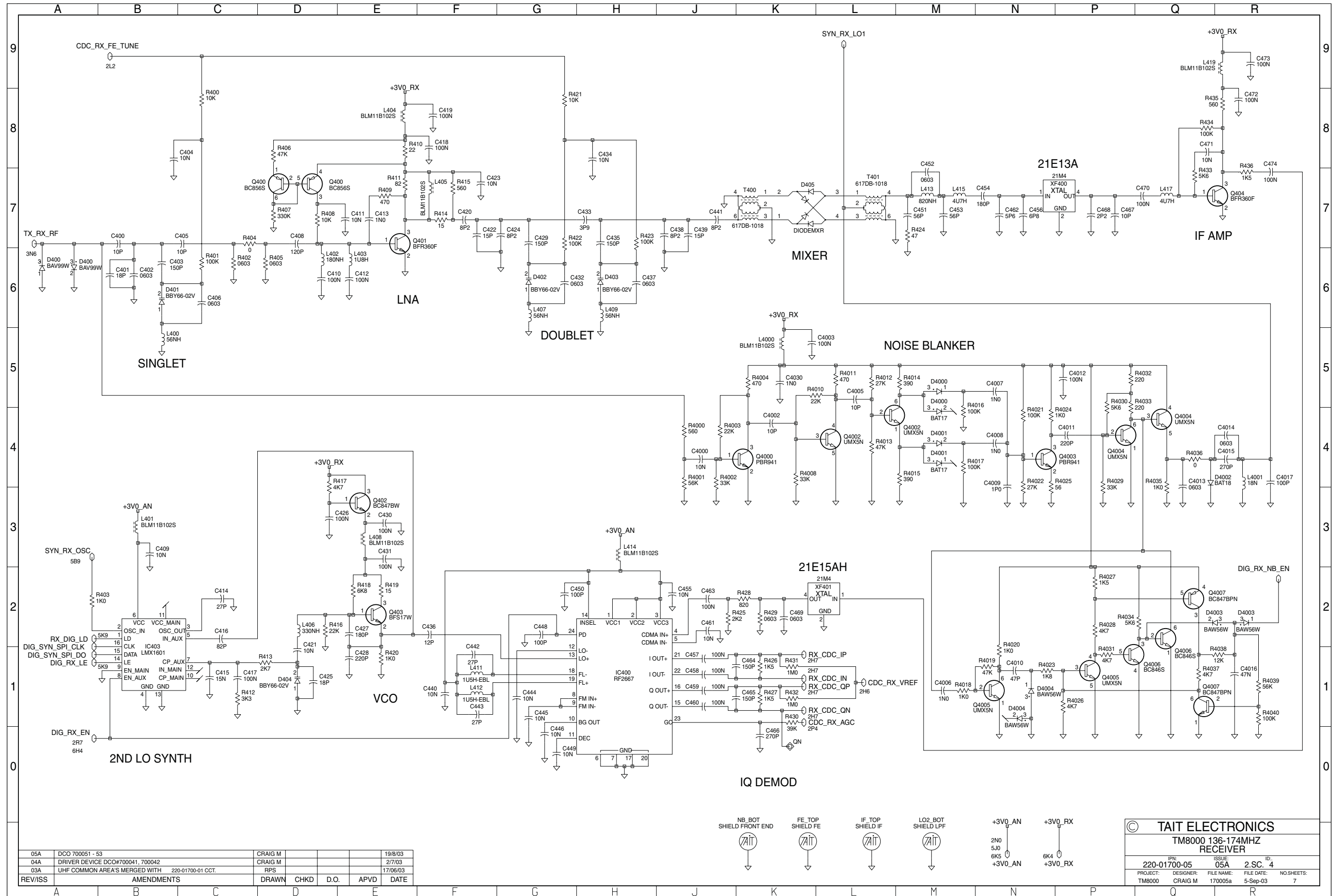


05A	DCO 700051 - 53	CRAIG M			19/8/03
04A	DRIVER DEVICE DCO#700041, 700042	CRAIG M			2/7/03
03A	UHF COMMON AREA'S MERGED WITH 220-01700-01 CCT.	RPS			17/06/03
REV/ISS	AMENDMENTS	DRAWN	CHKD	D.O.	APVD DATE

© TAIT ELECTRONICS
TM8000 136-174MHZ TRANSMITTER

IPN: 220-01700-05 ISSUE: 05A ID: 2.S.C. 3

PROJECT: TM8000 DESIGNER: CRAIG M FILE NAME: 170005a FILE DATE: 5-Sep-03 NO.SHEETS: 7



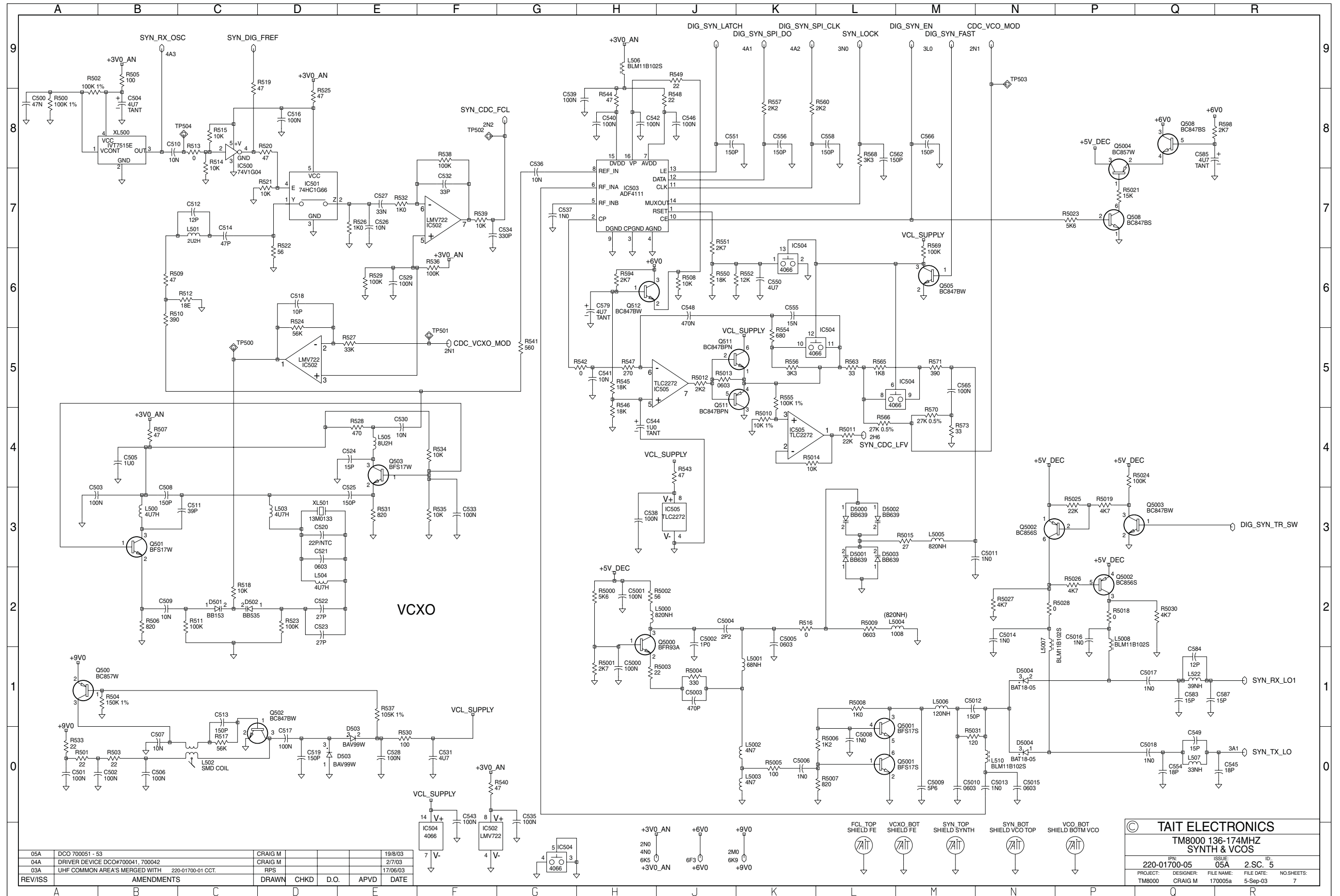
05A	DCO 700051 - 53	CRAIG M			19/8/03
04A	DRIVER DEVICE DCO#700041, 700042	CRAIG M			27/7/03
03A	UHF COMMON AREA'S MERGED WITH 220-01700-01 CCT.	RPS			17/06/03
REV/ISS	AMENDMENTS	DRAWN	CHKD	D.O.	APVD DATE

© TAIT ELECTRONICS

TM8000 136-174MHZ RECEIVER

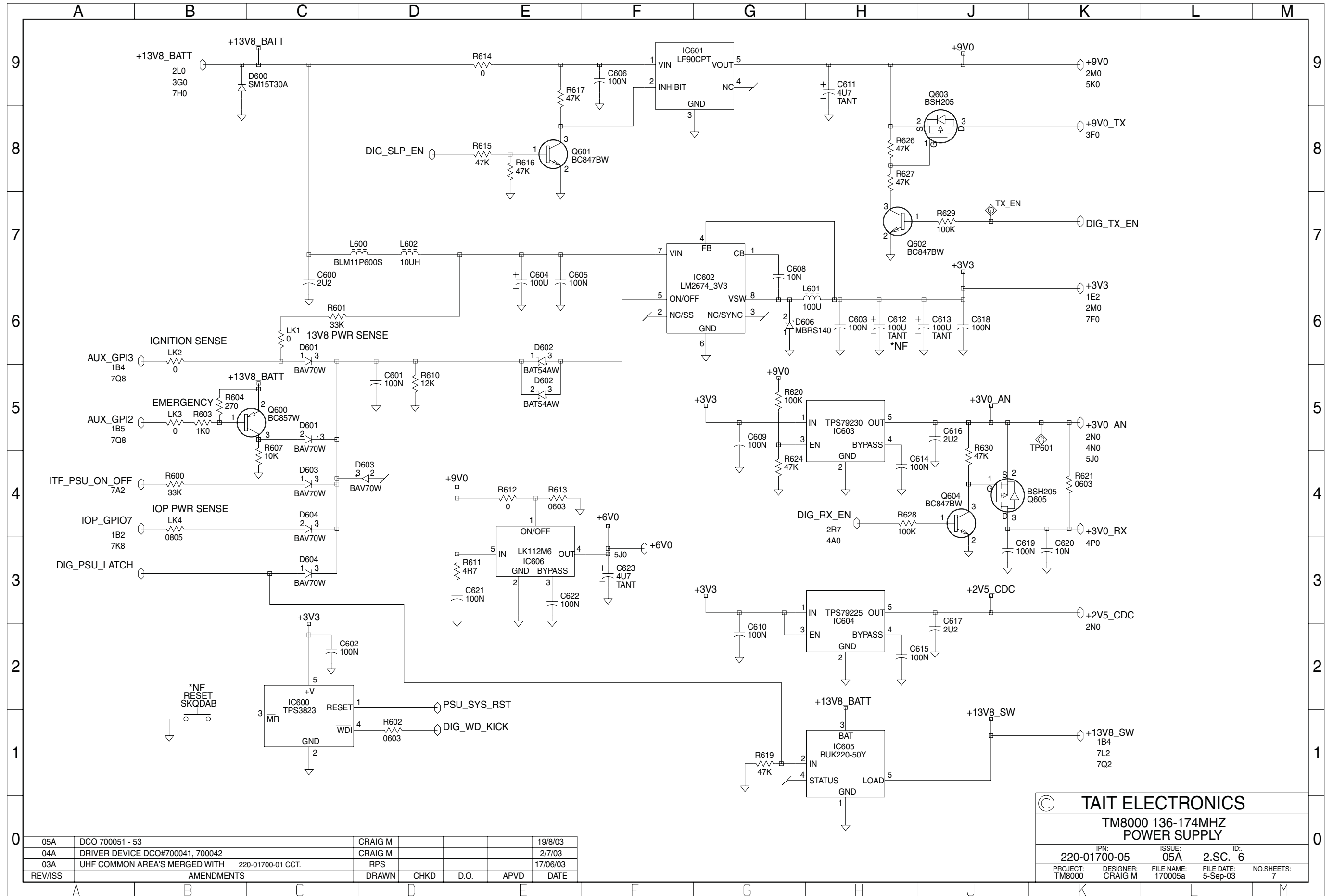
IPN: 220-01700-05 05A 2.SC. 4

PROJECT: TM8000 DESIGNER: CRAIG M FILE NAME: 170005a FILE DATE: 5-Sep-03 NO.SHEETS: 7



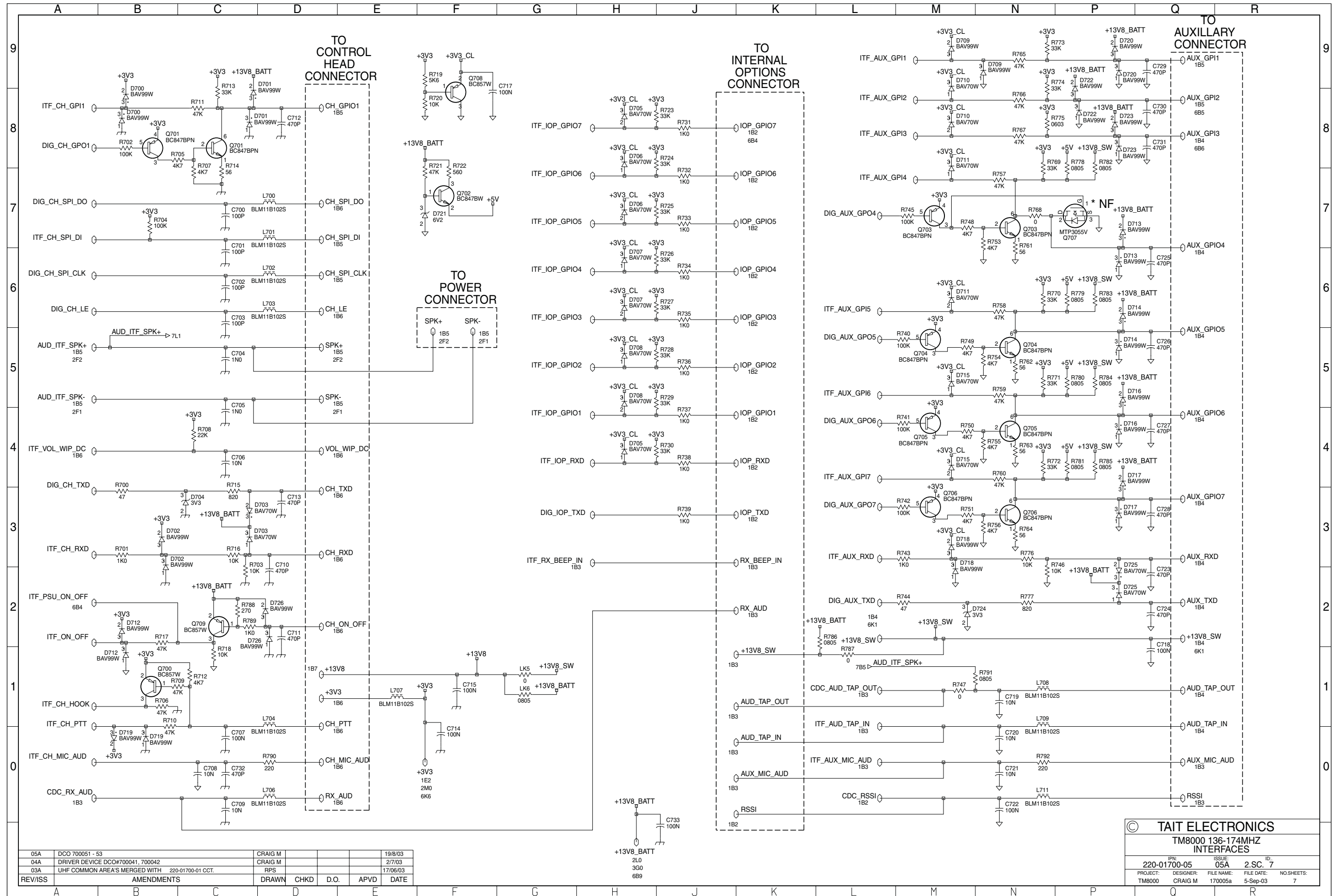
05A	DCO 700051 - 53	CRAIG M				19/8/03
04A	DRIVER DEVICE DCO#700041, 700042	CRAIG M				27/03
03A	UHF COMMON AREA'S MERGED WITH 220-01700-01 CCT.	RPS				17/06/03
REV/ISS	AMENDMENTS	DRAWN	CHKD	D.O.	APVD	DATE

© TAIT ELECTRONICS			
TM8000 136-174MHZ SYNTH & VCOS			
IPN:	ISSUE:	ID:	
220-01700-05	05A	2.SC. 5	
PROJECT:	DESIGNER:	FILE NAME:	FILE DATE:
TM8000	CRAIG M	170005a	5-Sep-03
			NO.SHEETS: 7



05A	DCO 700051 - 53	CRAIG M			19/8/03
04A	DRIVER DEVICE DCO#700041, 700042	CRAIG M			2/7/03
03A	UHF COMMON AREA'S MERGED WITH 220-01700-01 CCT.	RPS			17/06/03
REV/ISS	AMENDMENTS	DRAWN	CHKD	D.O.	APVD DATE

TAIT ELECTRONICS				
TM8000 136-174MHZ POWER SUPPLY				
IPN: 220-01700-05		ISSUE: 05A	ID: 2.SC. 6	
PROJECT: TM8000	DESIGNER: CRAIG M	FILE NAME: 170005a	FILE DATE: 5-Sep-03	NO.SHEETS: 7



05A	DCO 700051 - 53	CRAIG M			19/8/03
04A	DRIVER DEVICE DCO#700041, 700042	CRAIG M			2/7/03
03A	UHF COMMON AREA'S MERGED WITH 220-01700-01 CCT.	RPS			17/06/03
REV/ISS	AMENDMENTS	DRAWN	CHKD	D.O.	APVD
					DATE

© TAIT ELECTRONICS
 TM8000 136-174MHZ INTERFACES
 IPN: 220-01700-05 ISSUE: 05A 2.S.C. 7
 PROJECT: TM8000 DESIGNER: CRAIG M FILE NAME: 170005a FILE DATE: 5-Sep-03 NO.SHEETS: 7